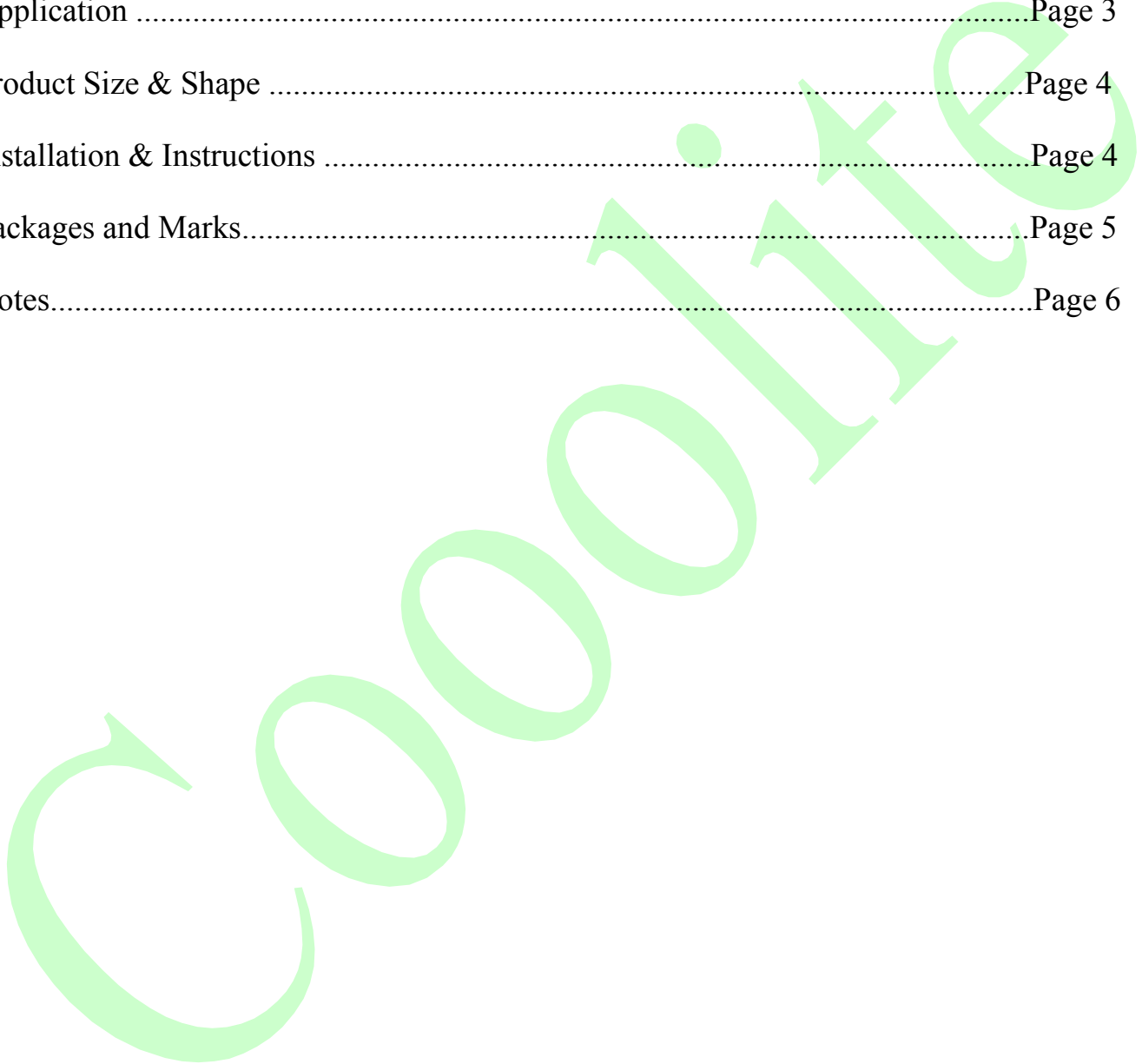




Catalogue

Product Feature	Page2
Technical Parameters	Page 3
Application	Page 3
Product Size & Shape	Page 4
Installation & Instructions	Page 4
Packages and Marks.....	Page 5
Notes.....	Page 6



Product Feature

Energy-saving

- Saving over 40% energy than energy-saving bulb, and 80% than halogen bulb.
- Efficiency of power supply is 90% or more.
- Using the led with more than 110 LM/W as light source.
- replacing 25W traditional halogen bulb.

Environmental Protection & Safety

- Using aluminium ceramic and glass components, recycling rate is more than 98.5%.
- No mercury, UV, IR and other toxic substances, it is environment-friendly.

Built-in Power Supply

- Power supply built-in, can replace the traditional bulb directly and easy to install & maintain.

Diversified Options

- Special color available to meet different requirements.
- LED chip is from Samsung.
- The product can be dimmable.

Special Structure Design

- Using low thermal resistance SMD LED as light source, the lifespan of product is up to 30,000 hrs
- The unique designed radiator is made from ceramic radiator to ensure the heat can spread quickly.
- Ceramic compare with AL alloy, the insulativity will be better.

Unique Optical Design

- Adopt light guide pillar, beam angle is 360 degree.
- Adopt transparent glass cover, which be widely used to crystal light

Warranty

- 3 years warranty.

Technical Data

Technical Parameters:

No.	Item	Technical Parameters
1	Voltage	100/220V AC
2	Total Power Consumption	3.2W
3	LED Power	2.5W
4	Power Factor	≥0.6
5	LED Quantity	1pcs
6	LED Type	SMD LED
7	Luminous Flux	180LM±5% (5000K~6500K)
8	Working Temperature	-20-45 ° C
9	Circuit Board Temperature Rise	20-25° C
10	Size	Φ37*101mm
11	Base	E14
12	Net Weight	57g
13	Illuminance(1M)	15LUX(5000K - 6500K 色温)
14	Beam Angle	360 °
15	Certificates	CE/FCC/PSE/RoHS

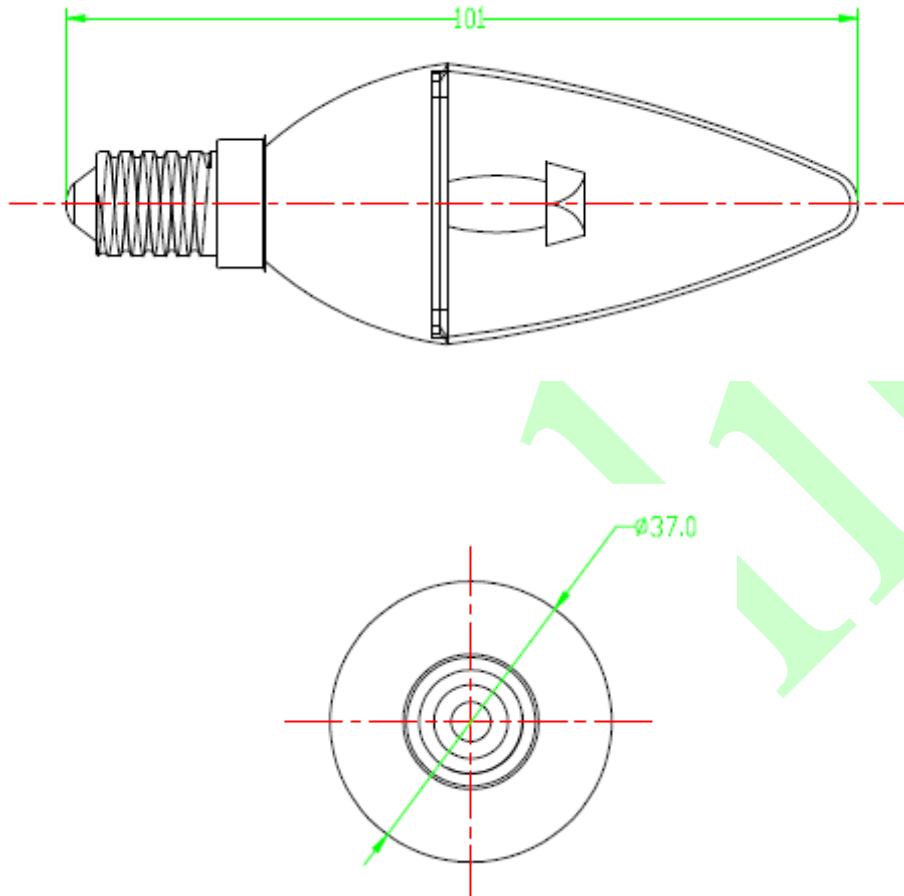
Specification:

Item No.	Color	Color Temperature	Initial Illuminous Flux(LM)	Total Power	Color Rendering Index	Efficiency (LM/W)
CLT-B101-03C	Cool white	5000-6500K	180LM±5%	3.2W	≥70	56LM/W
CLT-B101-03N	Natural white	4000-4800K	171LM±5%	3.2W	≥70	53LM/W
CLT-B101-03W	Warm white	2800-3500K	162LM±5%	3.2W	≥70	51LM/W

Application

- Replacing the traditional bulb.
- Office, commercial places, market, colleges, hospitals, hotels, parking lots, urban underground, passage, factory, municipal administrative projects, household etc lighting area.

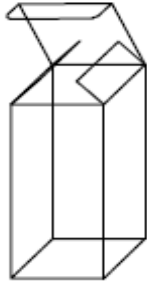
Product Size & Shape



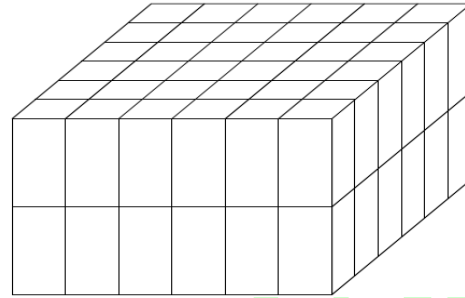
Installation & Instructions

The product doesn't have special installation requirements and installs it as the usual lamps.

Packages & Marks




Size of inner box: 45*45*115MM




Size of outer carton: 300*300*260MM (72pcs/carton)

1. Label on the outer packing

Item	LED bulb
Model	CLT-B101-03
Qty	
G.W	
Date	
Coolite (Shenzhen) Opto-electronics Lighting Co.,Ltd 	
www.coolite.com & www.coolite.net	

2. Label on the inner packing

Item	LED bulb
Model	CLT-B101-03
N.W	
Input Voltage	
Lumens	
Color Temperature	
Date	
Coolite (Shenzhen) Opto-electronics Lighting Co.,Ltd 	
www.coolite.com & www.coolite.net	

3. Label on the product

C37 4W LED bulb
Input: V AC
Output: *V *mA
CK:3500K 4500K 5500K
CE PSE ROHS FCC

Notes

1. When installing, please power off for the safety.
2. When the bulb is under working, please don't touch the surface directly to avoid being burned.
3. The normal working temperature of tube is $-20\sim 45^{\circ}\text{C}$, it is not suitable for working under poor ventilation condition and high temperature . Good ventilation condition can extend its lifespan.
4. When finding the LED bulb light work abnormally (extinguish, flicker), you should ask professional inspectors to check the contact state between base and lamp socket ,as well as the input voltage, don't do it by yourself to avoid being electrocuted. If there are some other problems ,please contact with the distributors.
5. There are no extra parts inside of the fixture, Don't open it without Professionals.
- 6 . Products shall be subject to any changes without additional notices
- 7 .Any questions, please contact us or our agents directly.