



Coolite (Shenzhen) Opto-electronics Lighting Co.,Ltd
Specification



Item No.: 5X1W LED Downlight

Model: CLT-D003-05 (1W High Power)

Customer P/N: _____

Please sign & stamp and fax to us after confirmation

Customer's Approval	
Approved by	Date

Add: 4F Building No.2,Zhenbao Industrial Park, Beihuan Rd,Shiyan,Shenzhen,China

TEL:+86 755 27658866 FAX:+86 755 27658821

www.coolite.com & www.coolite.net

Catalogue

Product Features	page 2
Technical Parameters	page 3
Application	page 4
Product Size & Shape	page 4
Installation & Instructions	page 4
Packages and Marks	page 5
Notes	page 6

Product Feature

Energy-saving

- Efficiency of power supply is 85% or more.
- Using the led with more than 110 LM/W as light source.

Environmental Protection & Safety

- Using aluminum alloy and PC plastic components, recycling rate is more than 98.5%.
- No mercury, UV,IR,and other toxic substances, it is environment-friendly.

External Power Supply

- Using isolated power supply, it's safe to user.
- Using external power supply, can replace the traditional lamps directly and easy to install&maintain.
- Containing PFC module, PF>0.60

Diversified Options

- Special color available to meet different requirements.
- Different colors for choice: warm white (2800-3500K) 、 natural white (4000-4800K)、 cool white (5000-6500K)

Special Structure Design

- Using low thermal resistance high power LED as light source, the lifespan of product is up to 30,000 hrs.
- The unique designed radiator is made from 6063 aluminum to ensure the heat can spread to the surface of radiator quickly.
- Placing driver separately outside of the lamp,so the heat would not impact on the LED directly.
- Unique design, and beautiful shape make it more fascinating, easier installation and more convenient to control.

Unique Optical Design

- Light is very even and no glare, no flicker.
- Good illuminance, low light decay, high utilization ratio of light.

Warranty

- 3 years warranty.

Technical Data

Technical Parameters:

No.	Item	Technical Parameters
1	Voltage	100-240V AC
2	Power Consumption	6W
3	LED Power	5W
4	Power Factor	≥0.6
5	LED Quantity	5pcs
6	LED Type	1W high-power LED
7	Luminous Flux	350LM±5% (5000K~6500K CCT)
8	Working Temperature	-20-45 °C
9	Circuit Board Temperature Rise	20-25°C
10	Size	Φ106*70mm
11	Base	/
12	Net Weight	365g
13	Illuminance(1M)	2900 LUX(5000K - 6500K CCT)
14	Beam Angle	25°, 35°
15	Certificates	CE/FCC/RoHS

Specification:

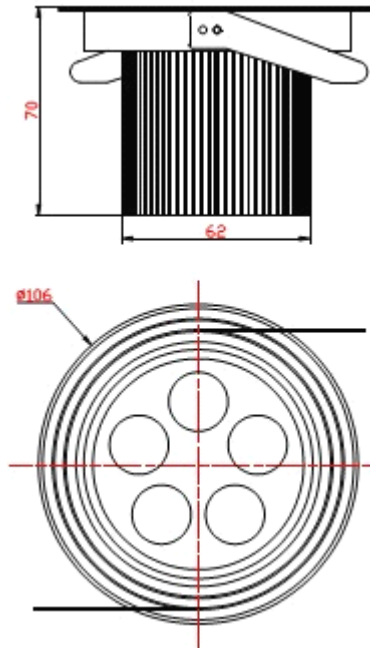
Item No.	Color	Color Temperature	Initial Illuminous Flux(LM)	Total Power	Color Rendering Index	Efficiency (LM/W)
CLT-D003-05C	Cool white	5000-6500K	350±5%	6W	≥70	58.3LM/W
CLT-D003-05N	Natural white	4000-4800K	332±5%	6W	≥70	55.3LM/W
CLT-D003-05W	Warm white	2800-3500K	315±5%	6W	≥70	52.5LM/W

Application

■Indoor decoration Lighting: Merchandise Show, Shop window, Restaurant, Dining Room and so on; Spot Lighting: Showroom, Art Gallery, Museum, Office, Reading Room and so on; Atmosphere Lighting: Disco, Bar, KTV, and other lighting: Jeweller, Fashion.

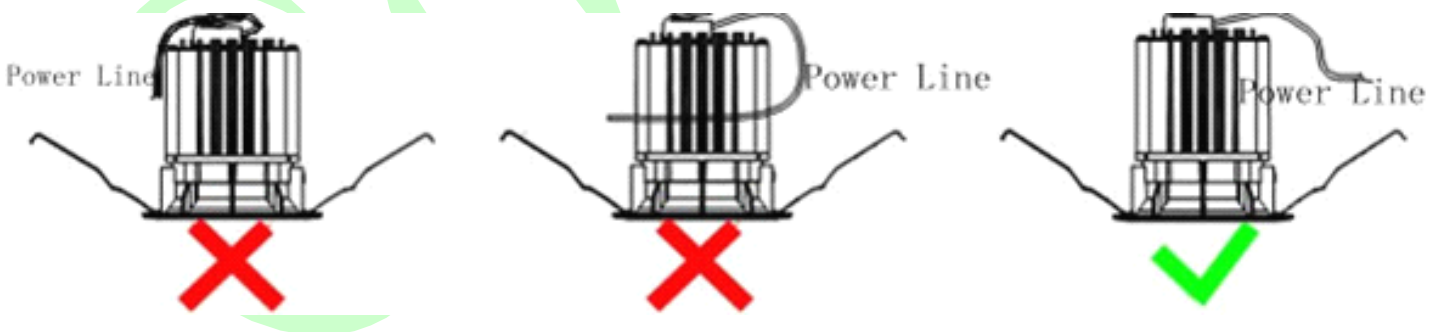
■The lamp used in Corridor, Restroom, Garage, Parking Lot; Security Lamp, Theft Deterrent Lamp, Indicator Light used in the factory, Housing Estate and any other place.

Product Size & Shape



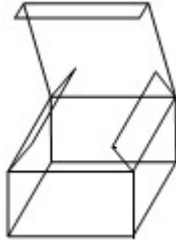
Installation & Instruction

Please open a mounting hole on the ceiling according to the requirement, and connect the input line of the drive respectively with the live wires and null wires of alternating current, then connect the input line of this products with the output line of the drive (please pay attention to the positive and negative charges, connect the red line to the positive charges). Examine connection whether is correct, set up the spring pieces on both sides, and put them into the mounting hole together with the lamps, push upward hard, then it will be stuck automatically. Power-on and the product works.

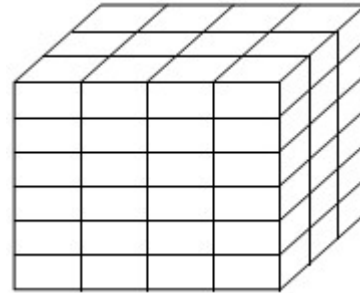


❗ Power line forbid to contact the hot part, in case short-circuit or on fire.

Packages & Marks




Size of Inner packing:
125*125*90MM



Size of outer packing:
400*400*390MM 36pcs/carton


1. Label on the outer packing

Item	
Model	
Qty	
G.W	
Date	
Coolite Opto-electronics lighting Co.,Ltd.	
www.coolite.com & www.coolite.net	



2. Label on the inner packing

Item	
Model	
N.W	
Input Voltage	
Lumens	
Color Temperature	
Date	
Coolite Opto-electronics lighting Co.,Ltd.	
www.coolite.com & www.coolite.net	



3. Label on the product

5X1W LED Downlight
Input: 100-240V AC
Output: *V *mA
CK:3500K (4500K/5500K)
CE ROHS FCC

Notes

1. When installing, please power off for the safety.
2. When the downlight is under working, please don't touch the surface directly to avoid being burned.
3. Don't cover the lamp after installing, and leave some room round for better heat emission.
4. The normal working temperature of downlight is $-20\sim 45^{\circ}\text{C}$, it is not suitable for working under poor ventilation condition and high temperature . Good ventilation condition can extend its lifespan.
5. If the downlight works abnormally (extinguish, flicker), you should ask professional inspectors to check the contact state between base and lamp socket ,as well as the input voltage, don't do it by yourself to avoid being electrocuted. If there are some other problems ,please contact the distributors.
6. There are no extra parts inside of the fixture, don't open it without Professionals.
7. Products shall be subject to any changes without additional notices;.
8. Any questions, please contact us or our agents directly.