



Coolite (Shenzhen) Opto-electronics Lighting Co.,Ltd  
Specification



Item: 9X1W PAR38 LED spot lamp

Model: CLT-P303-09

Customer P/N: \_\_\_\_\_

Please sign & stamp and fax to us after approval

Customer's Approval	
Approved by	Date

Add: 4F Building No.2, Zhenbao Industrial Park, Beihuan Rd, Shiyan, Shenzhen, China

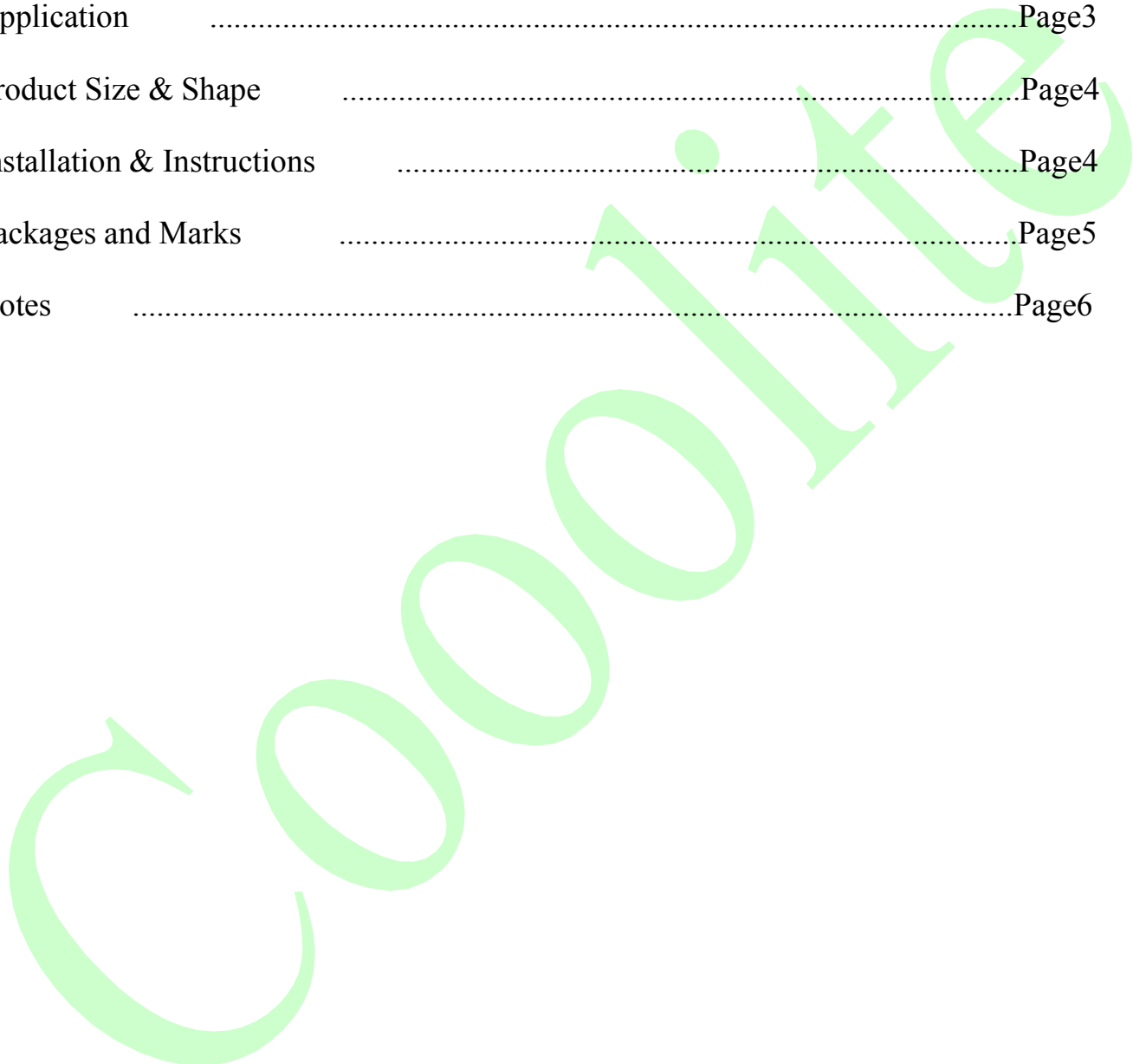
TEL:+86 755 27658866 FAX:+86 755 27658821

www.coolite.com&www.coolite.net



## Catalogue

Product Feature	.....	Page2
Technical Parameters	.....	Page3
Application	.....	Page3
Product Size & Shape	.....	Page4
Installation & Instructions	.....	Page4
Packages and Marks	.....	Page5
Notes	.....	Page6



## Product Features

### Energy-saving

- Saving more than 80% energy than that of traditional spotlights.
- Efficiency of power supply is 80% or more.
- Using the led with more than 85LM/W as light source.
- replacing traditional 70W PAR38 halogen lamps.

### Environmental Protection & Safety

- Using aluminum alloy and PMMA plastic components, recycling rate is more than 98.5%.
- No mercury,UV,IR and other toxic substances, it is environment-friendly.

### Built-in Power Supply

- Using isolated power supply, it's safe to user.
- Power supply built-in, can replace the traditional spotlights directly and easy to install&maintain.

### Diversified Options

- The special color available to meet different requirements.
- LED chip is from Epistar in Taiwan.
- Dimming function is available.

### Special Structure Design

- Using low thermal resistance 1W LED as light source, the lifespan of product is up to 30,000 hrs.
- The unique designed radiator is made from 6063 aluminum to ensure the heat can spread to the surface of radiator quickly.

### Unique Optical Design

- Light is very even and no glare, no flicker..
- Unique optical design and lens structure,making the the direction of light more well.

### Warranty

- 3 years warranty.

### Technical Data

Technical Parameters:

No.	Item	Technical Parameters
1	Voltage	100-240V AC
2	Total Power Consumption	11W
3	LED Power	9W
4	Power Factor	≥0.95
5	LED Quantity	9pcs
6	LED Type	1W LED
7	Luminous Flux	630LM±5% (5000K~6500K Color Temperature)
8	Working Temperature	-20-45 ° C
9	Circuit Board Temperature Rise	20-25° C
10	Size	Φ 122*122mm
11	Base	E27/GU10
12	Net Weight	380g
13	Illuminance(1M)	3900LUX (5000K - 6500K Color Temperature)
14	Beam Angle	25°, 35°
15	Certificates	CE/FCC/RoHS

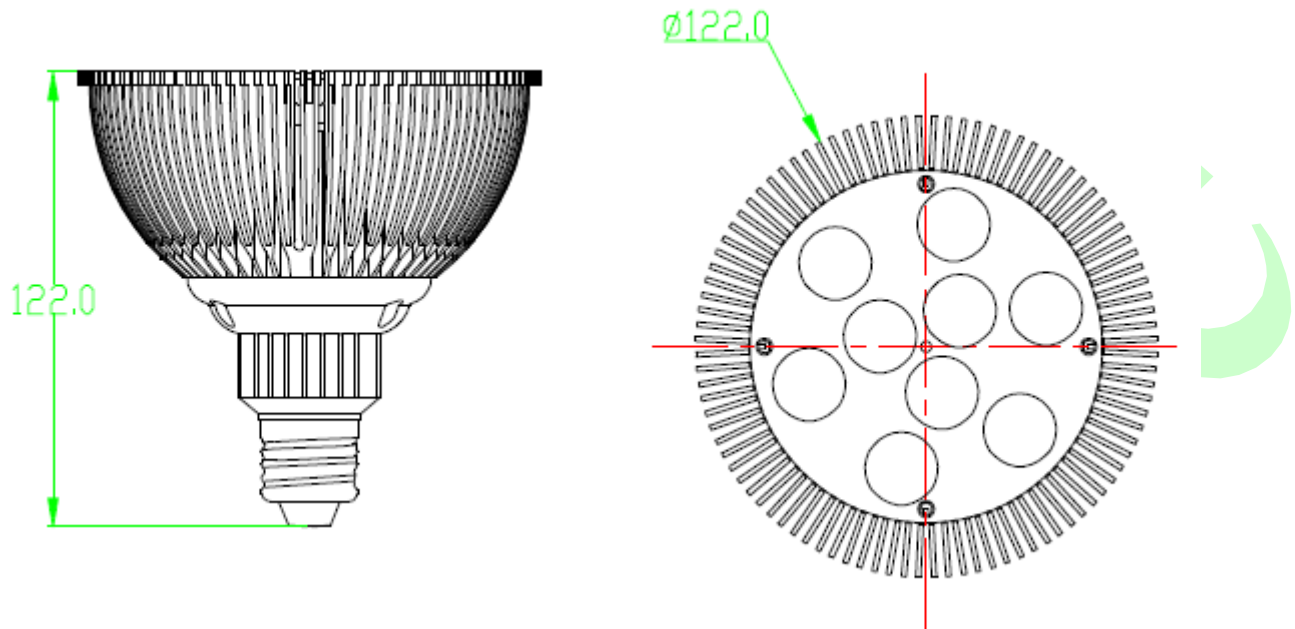
Specification:

Item NO.	Color	Color Temperature	Initial Illuminous Flux(LM)	Total Power	Color Rendering Index	Efficiency (LM/W)
CLT-P303-09C	Cool white	5000-6500 K	540 ± 5%	11W	≥70	49LM/W
CLT-P303-09N	Natural white	4000-4800 K	513 ± 5%	11W	≥70	46LM/W
CLT-P303-09W	Warm white	2800-3500 K	487 ± 5%	11W	≥70	44LM/W

### Application

- Replacing the traditional spotlights and downlights.
- Office, commercial places, market, colleges, hospitals, hotels, parking lots, urban underground passage, factory, municipal administrative projects, household etc lighting area.

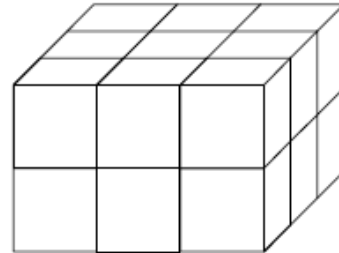
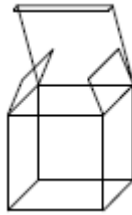
## Product Size &amp; Shape



## Installation &amp; Illustration

The product doesn't have special installation requirements and installs it as the usual lamps.


### Packages & Marks




Size of inner box:128\*128\*130mm

Size of outer carton:410\*410\*280MM (18pcs/carton)

#### 1. Label on the outer packing

Item	
Model	
Qty	
G.W	
Date	
Coolite (Shenzhen) Opto-electronics Lighting Co.,Ltd 	
<a href="http://www.coolite.com">www.coolite.com</a> & <a href="http://www.coolite.net">www.coolite.net</a>	

#### 2. Label on the inner packing

Item	
Model	
N.W	
Input Voltage	
Lumens	
Color Temperature	
Date	
Coolite (Shenzhen) Opto-electronics Lighting Co.,Ltd 	
<a href="http://www.coolite.com">www.coolite.com</a> & <a href="http://www.coolite.net">www.coolite.net</a>	

#### 3. Label on the product

9X1W PAR38 LED spot lamp  
 Input: 100-240V AC 9W  
 CK:3500K /4500K/5500K  
 CE/ROHS/FCC

## Notes

1. When installing, please power off for the safety.
2. When the tube is under working, please don't touch the surface directly to avoid being burned.
3. The normal working temperature of tube is -20~45°C, it is not suitable for working under poor ventilation condition and high temperature. Good ventilation condition can extend its lifespan.
4. When finding the LED spotlights work abnormally (extinguish, flicker), you should ask professional inspectors to check the contact state between base and lamp socket, as well as the input voltage, don't do it by yourself to avoid being electrocuted. If there are some other problems, please contact with the distributors.
5. There are no extra parts inside of the fixture, Don't open it without Professionals
6. Products shall be subject to any changes without additional notices;
7. Any questions, please contact us or our agents directly.